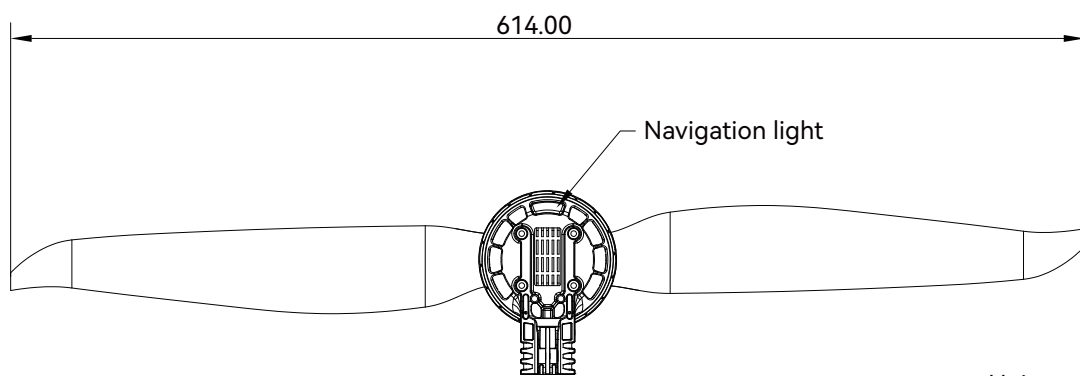
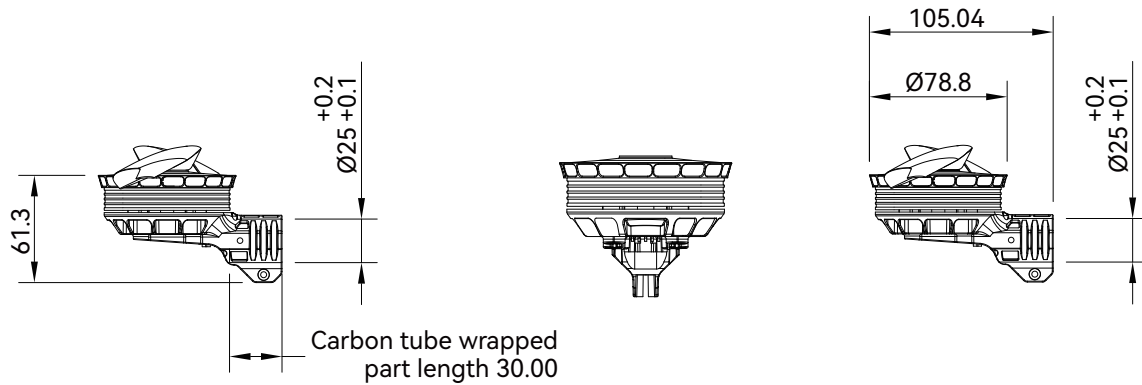


I5 KV135

Technical Drawing



Unit: mm

Specification	
Model No.	I5 KV135
Setup	I5 (Motor)+8S FOC 30A (ESC)+I24 (Prop)
Recommended Battery	6~8S (LiPo)
Rated Thrust	1.2~1.5kg
Efficiency at Rated Thrust	13.3g/W (1.5kg)
Max Thrust	4.8kg
Tube Size	25mm
Wire length	500±5mm
Weight	320±2%g (Incl. Wires+Prop)
IP	IP46
Recommended Ambient Temperature	-30~50°C
Motor Specs	
KV	135
ESC Specs	
Throttle Range	1050~1950us (Fixed)
Protocol	DRONE CAN/UAV CAN
Control Method	PWM/CAN
Throttle Refresh Rate	50~500Hz
Max Voltage	36V
Peak Output Current (Last For 3s)	30A (Open Environment With Temperature≤60°C)
BEC	NO
Prop Specs	
Model No.	I24 (Integrated Carbon Fibre Propeller)
Length	24 Inch (614mm)