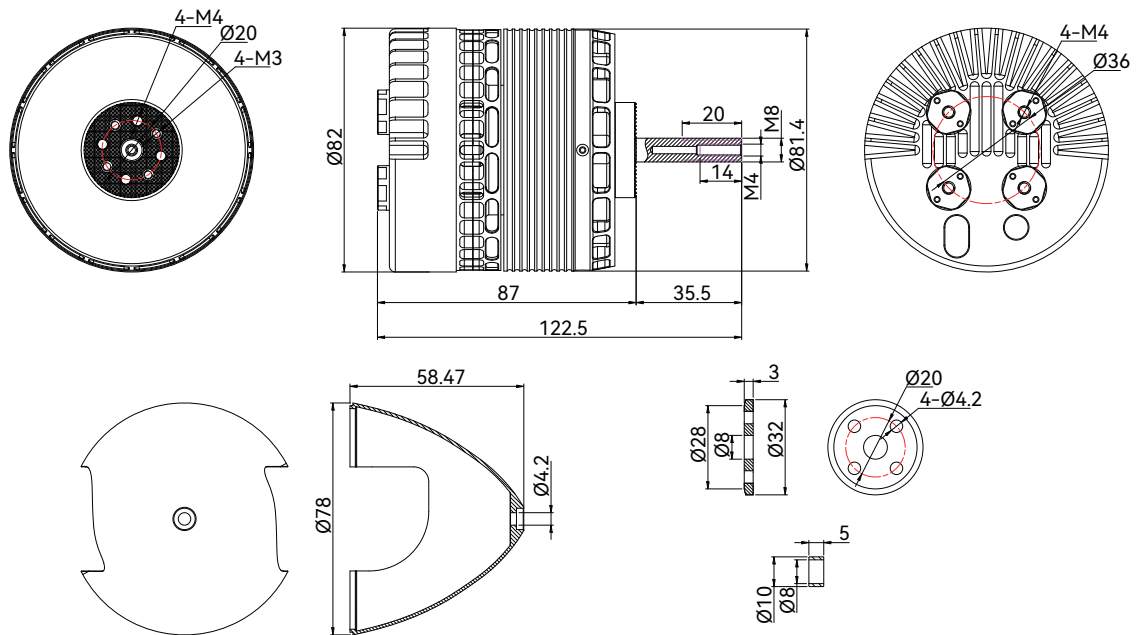


# IV7 (IV7215)

## Technical Drawing



Specification	
Model No.	IV7 (IV7215) KV170
Setup	IV7 (IV7215) Motor+14S FOC IV150A ESC
Propeller	22*10、19*12、20*12
Voltage	12-14S (LiPo)
Max Power	4945W
Power Cables	Silicone Wires-Red/Black-10AWG-1800mm
Signal Wires	Shielded Wire-Black-OD4.2-5C-1200mm-JP-3P*2-Black Blank White-Green Yellow grey
Weight	1100±2%g
IP	IP35
Recommended Ambient Temperature	-30~60°C
Motor Specs	
Stator Size	72*15mm
KV	170
ESC Specs	
Throttle Pos. Range	1040~1940us (Fixed)
Protocol	DRONE CAN/UAV CAN
Control Method	PWM/CAN
Throttle Refresh Rate	50~500Hz
Max Voltage	60V
Peak Output Current (Last For 3s)	150A (Open Environment With Temperature≤60°C)
BEC	NO
Throttle Response Speed	300ms

Specification	
Model No.	IV7 (IV7215) KV200
Setup	IV7 (IV7215) Motor+14S FOC IV150A ESC
Propeller	20*10、19*12
Voltage	12S (LiPo)
Max Power	4386W
Power Cables	Silicone Wires-Red/Black-10AWG-1800mm
Signal Wires	Shielded Wire-Black-OD4.2-5C-1200mm-JP-3P*2-Black Blank White-Green Yellow grey
Weight	1100±2%g
IP	IP35
Recommended Ambient Temperature	-30~60°C
Motor Specs	
Stator Size	72*15mm
KV	200
ESC Specs	
Throttle Pos. Range	1040~1940us (Fixed)
Protocol	DRONE CAN/UAV CAN
Control Method	PWM/CAN
Throttle Refresh Rate	50~500Hz
Max Voltage	60V
Peak Output Current (Last For 3s)	150A (Open Environment With Temperature≤60°C)
BEC	NO
Throttle Response Speed	300ms