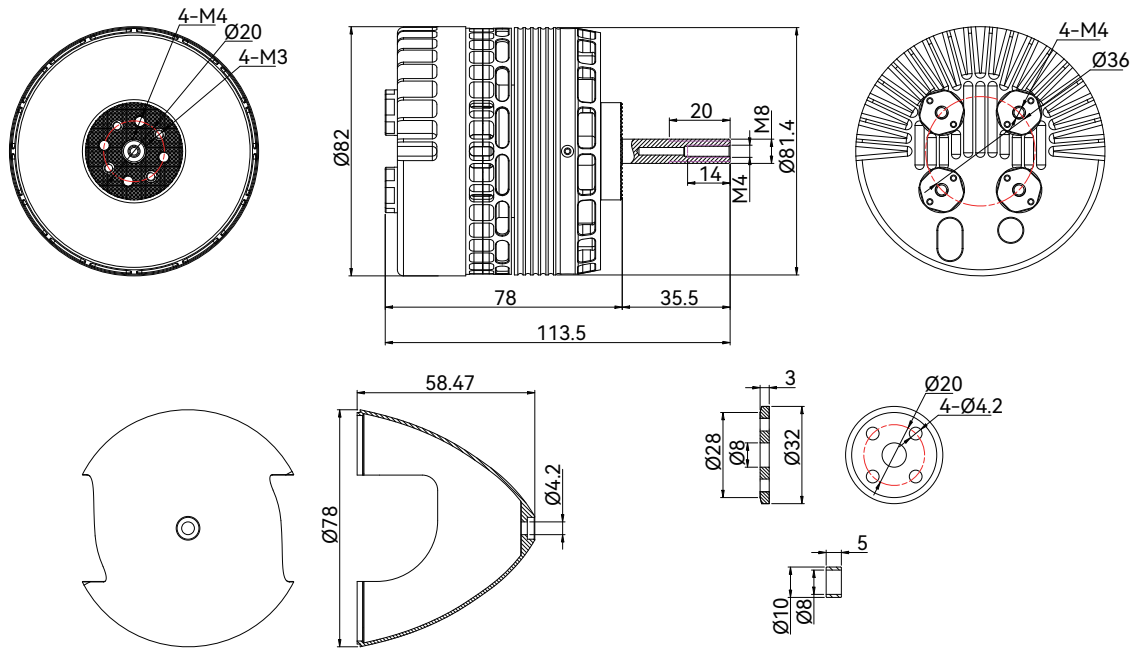


IV9 (IV7224)

Technical Drawing



Specification	
Model No.	IV9 (IV7224) KV160
Setup	IV9 (IV7224) Motor+14S FOC IV150A ESC
Propeller	24*12, 22*10, 24*10
Voltage	12-14S (LiPo)
Max Power	6309W
Power Cables	Silicone Wires-Red/Black-10AWG-1800mm
Signal Wires	Shielded Wire-Black-OD4.2-5C-1200mm-JP-3P*2-Black Blank White-Green Yellow Grey
Weight	1300±2%g
IP	IP35
Recommended Ambient Temperature	-30~60°C
Motor Specs	
Stator Size	72*24mm
KV	160
ESC Specs	
Throttle Pos. Range	1040~1940us (Fixed)
Protocol	DRONE CAN/UAV CAN
Control Method	PWM/CAN
Throttle Refresh Rate	50~500Hz
Max Voltage	60V
Peak Output Current (Last For 3s)	150A (Open Environment With Temperature≤60°C)
BEC	NO
Throttle Response Speed	300ms

Specification	
Model No.	IV9 (IV7224) KV190
Setup	IV9 (IV7224) Motor+14S FOC IV150A ESC
Propeller	22*10
Voltage	12S (LiPo)
Max Power	5808W
Power Cables	Silicone Wires-Red/Black-10AWG-1800mm
Signal Wires	Shielded Wire-Black-OD4.2-5C-1200mm-JP-3P*2-Black Blank White-Green Yellow Grey
Weight	1300±2%g
IP	IP35
Recommended Ambient Temperature	-30~60°C
Motor Specs	
Stator Size	72*24mm
KV	190
ESC Specs	
Throttle Pos. Range	1040~1940us (Fixed)
Protocol	DRONE CAN/UAV CAN
Control Method	PWM/CAN
Throttle Refresh Rate	50~500Hz
Max Voltage	60V
Peak Output Current (Last For 3s)	150A (Open Environment With Temperature≤60°C)
BEC	NO
Throttle Response Speed	300ms